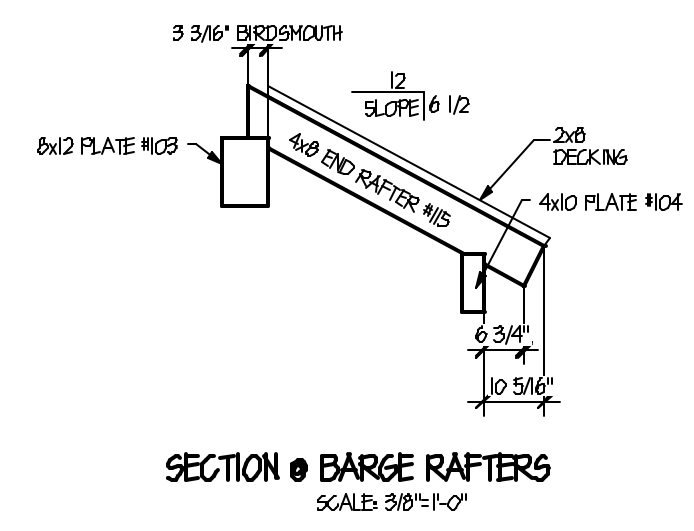
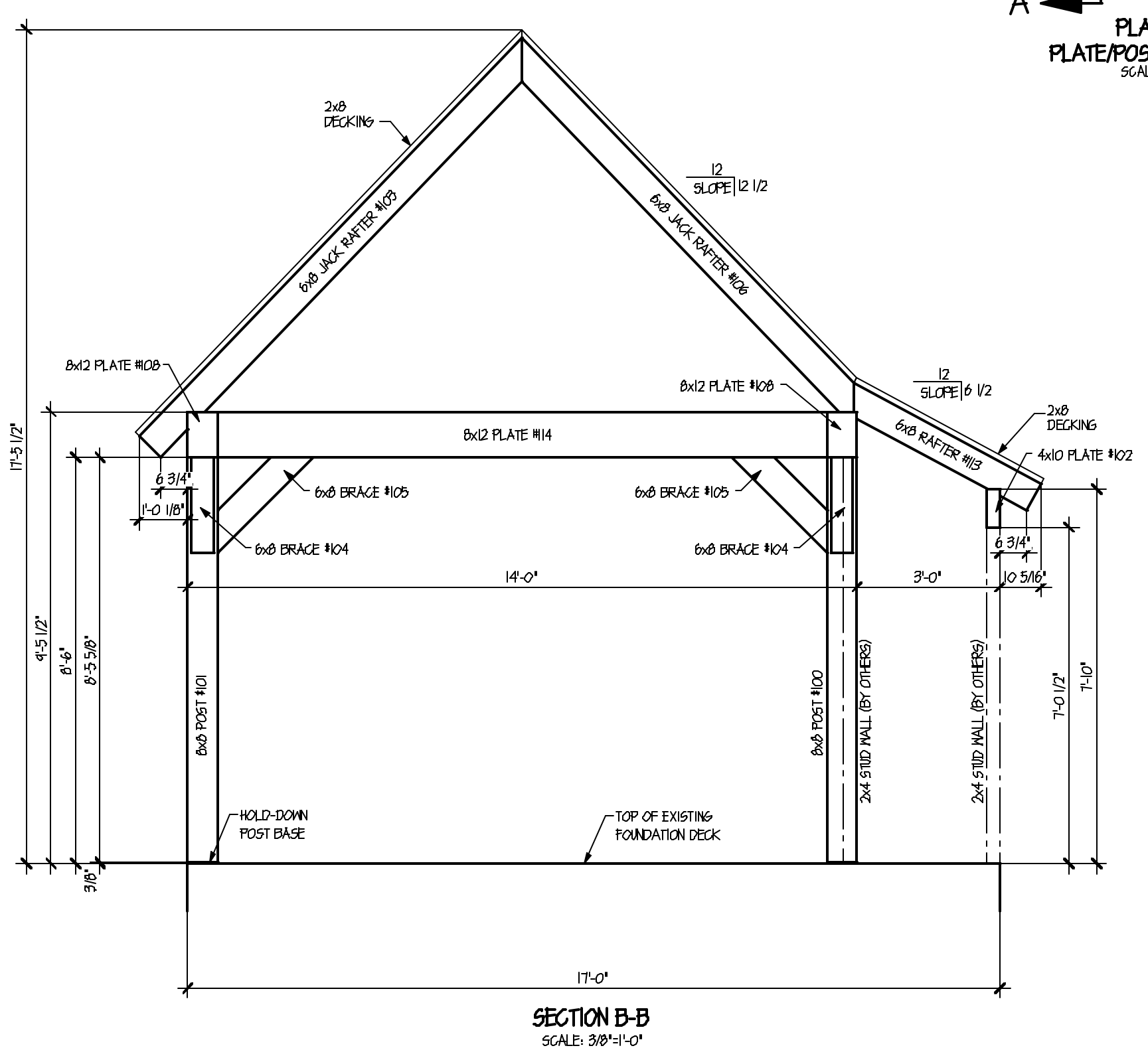
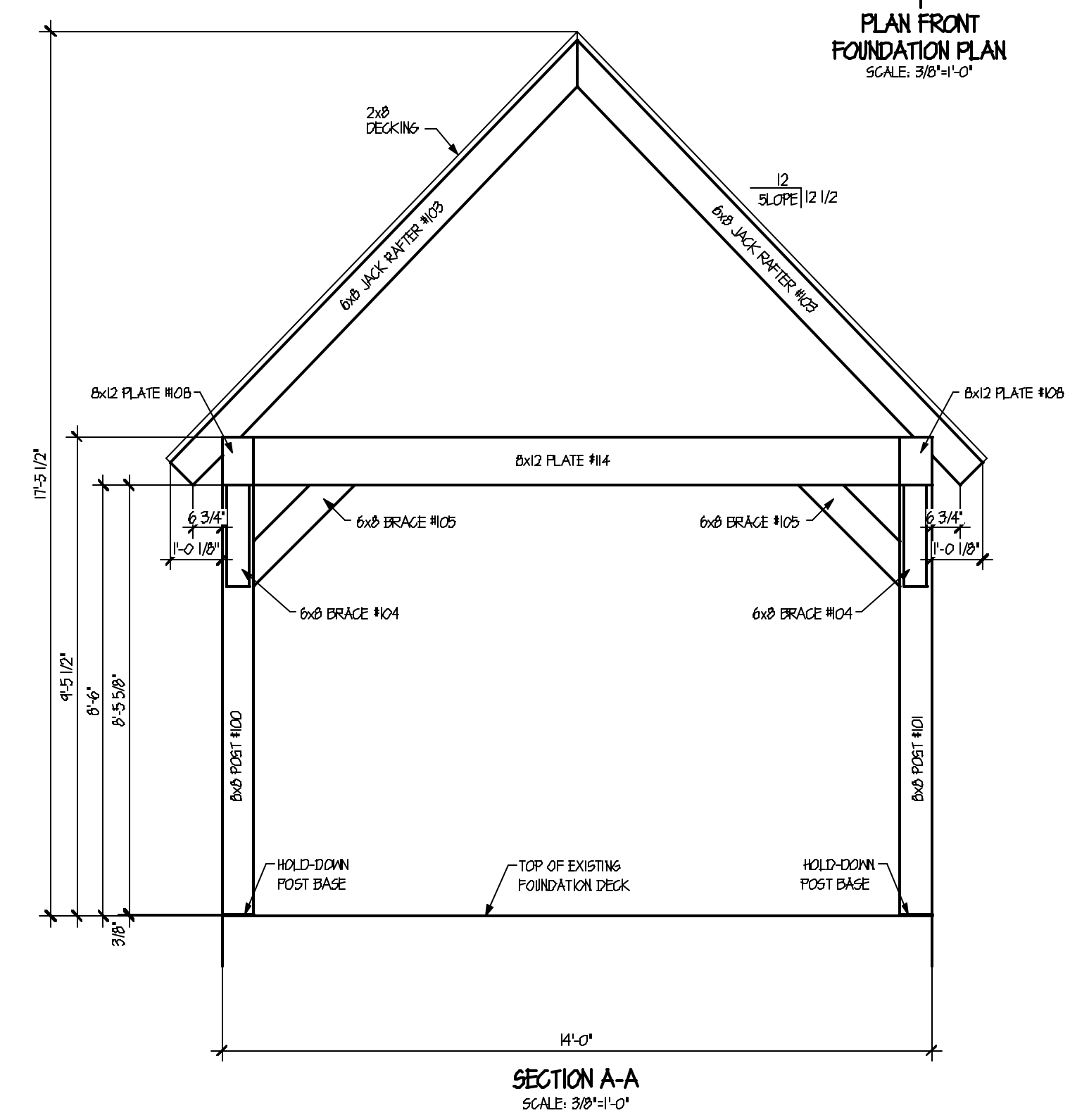


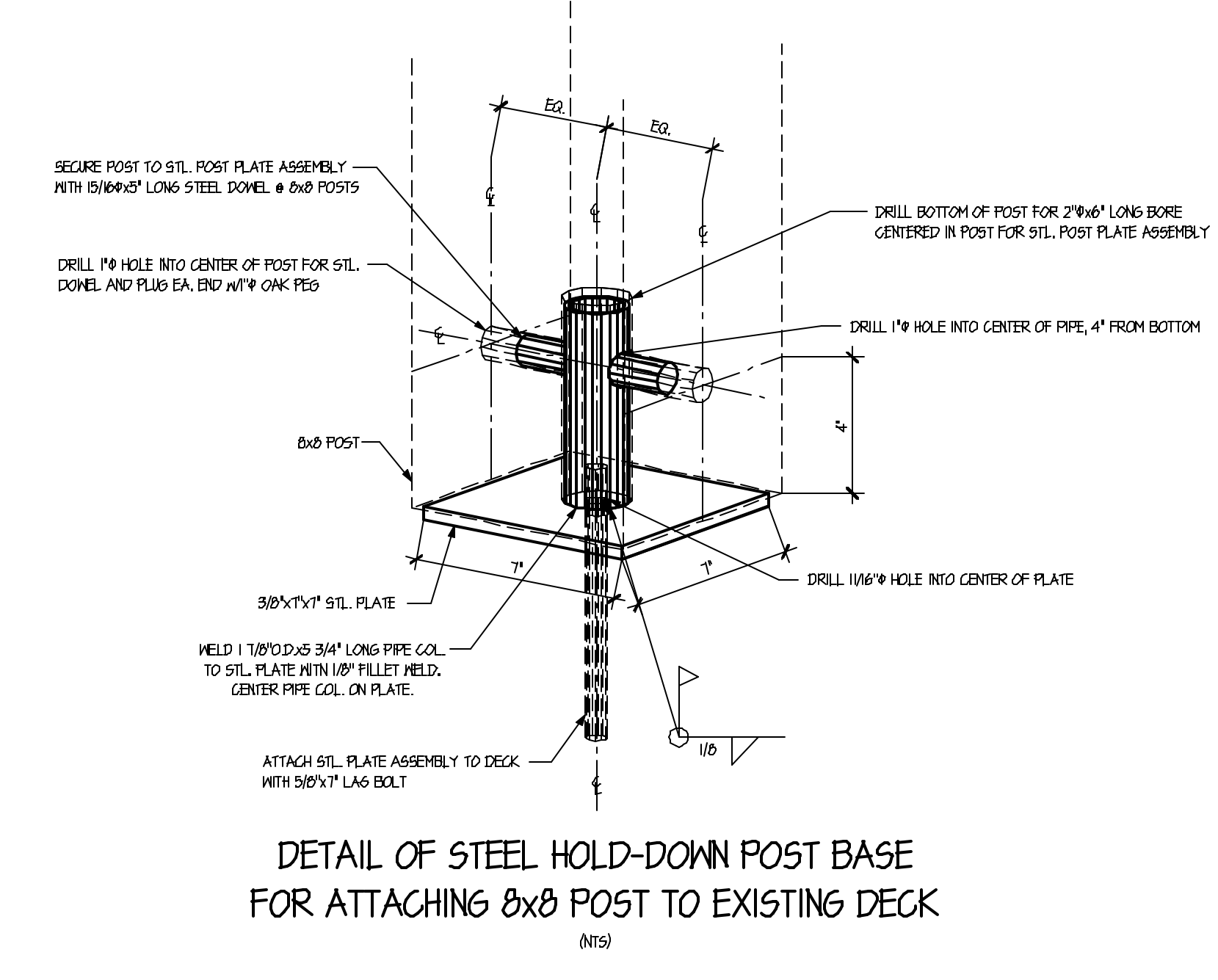
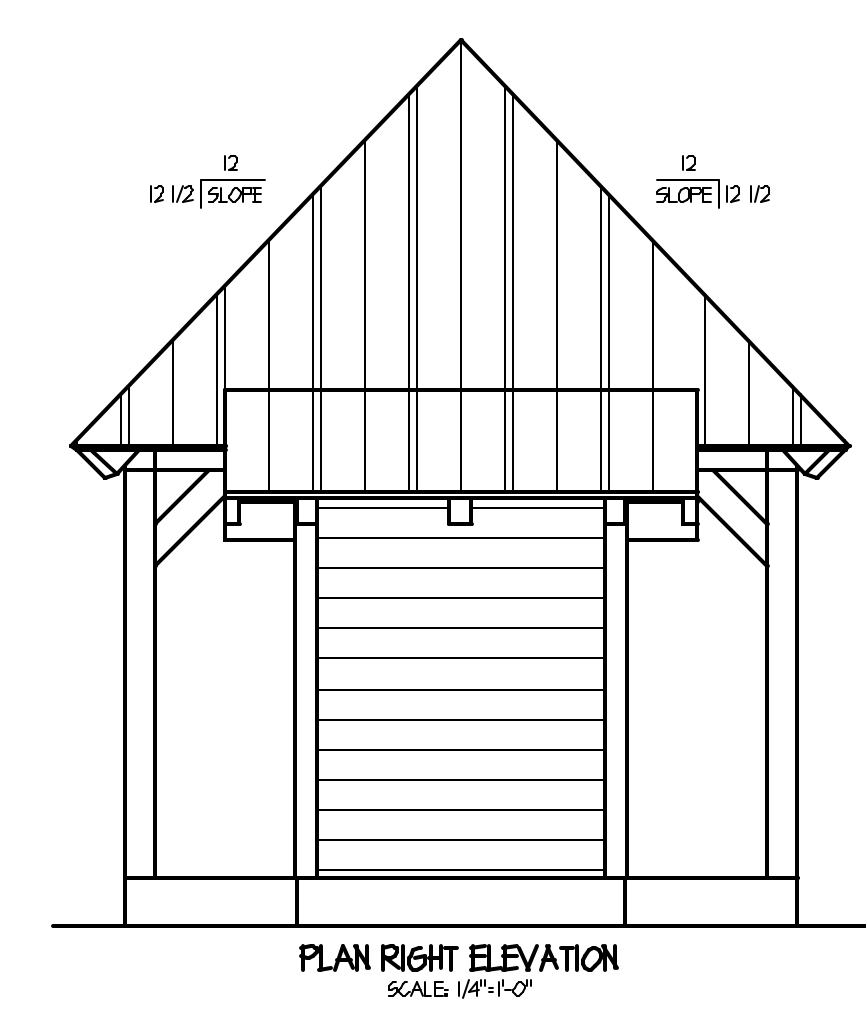
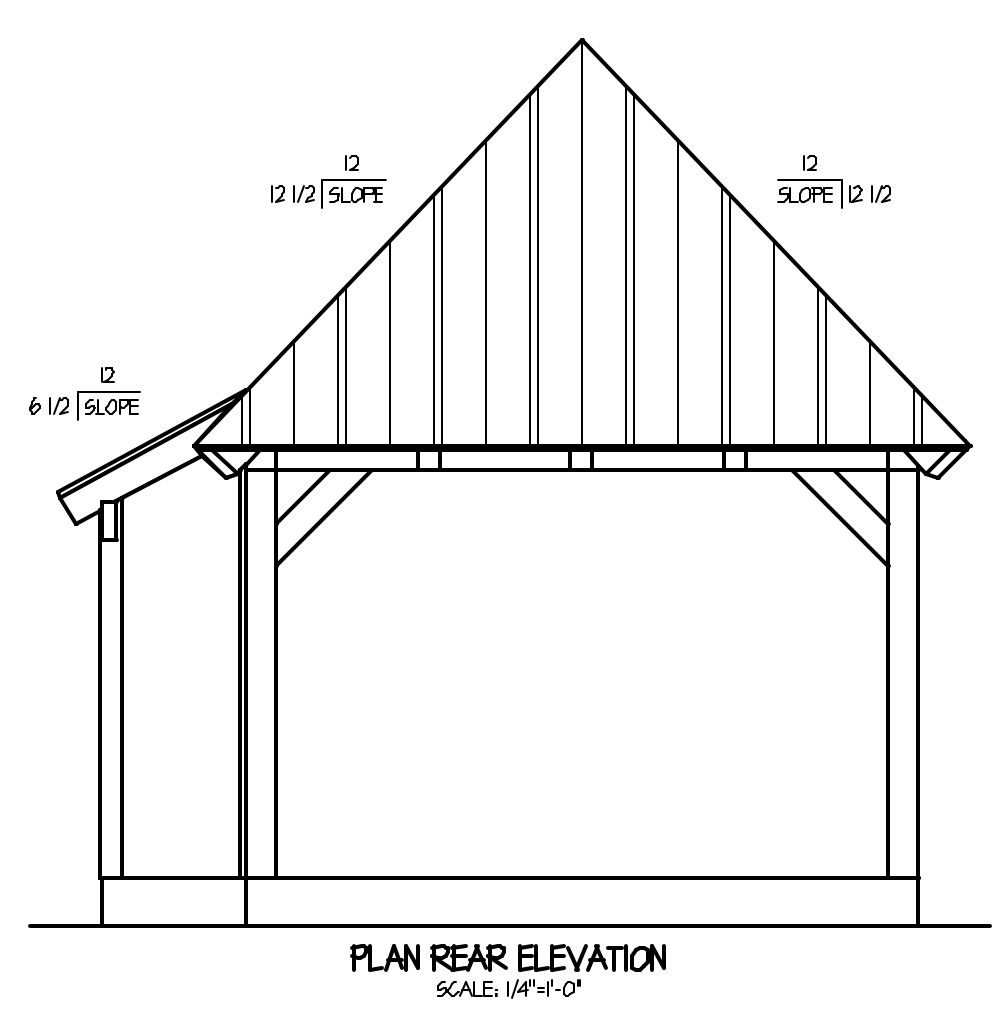
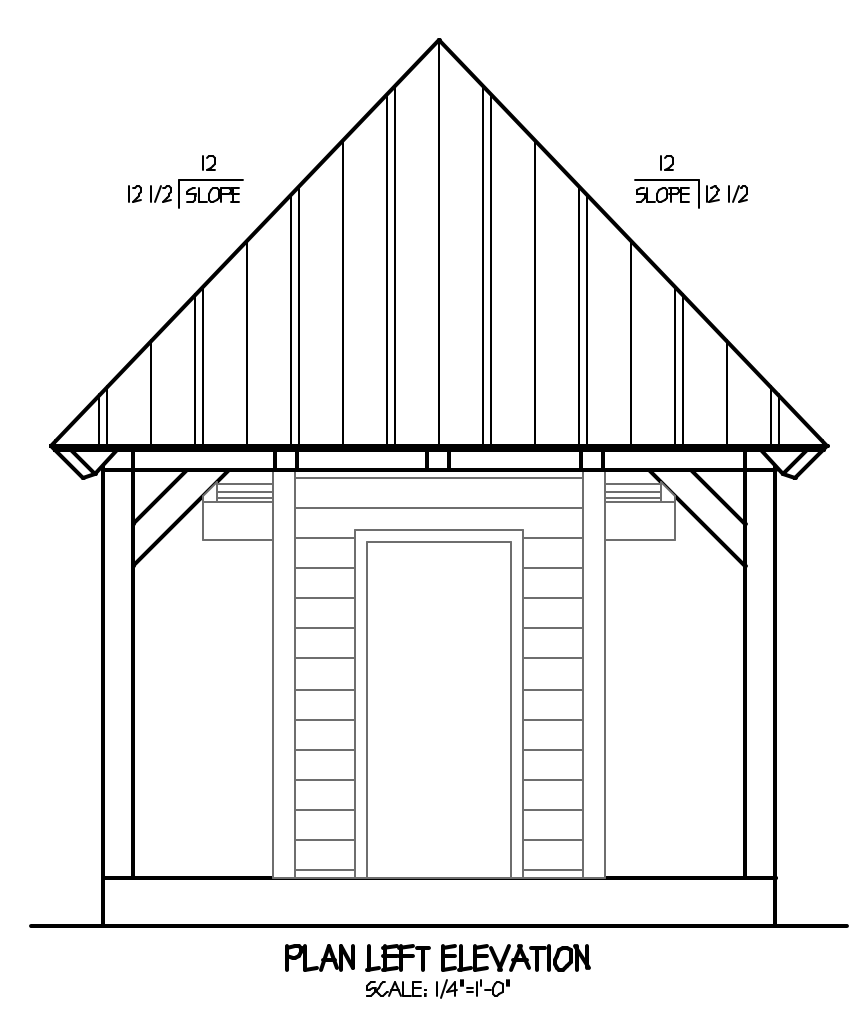
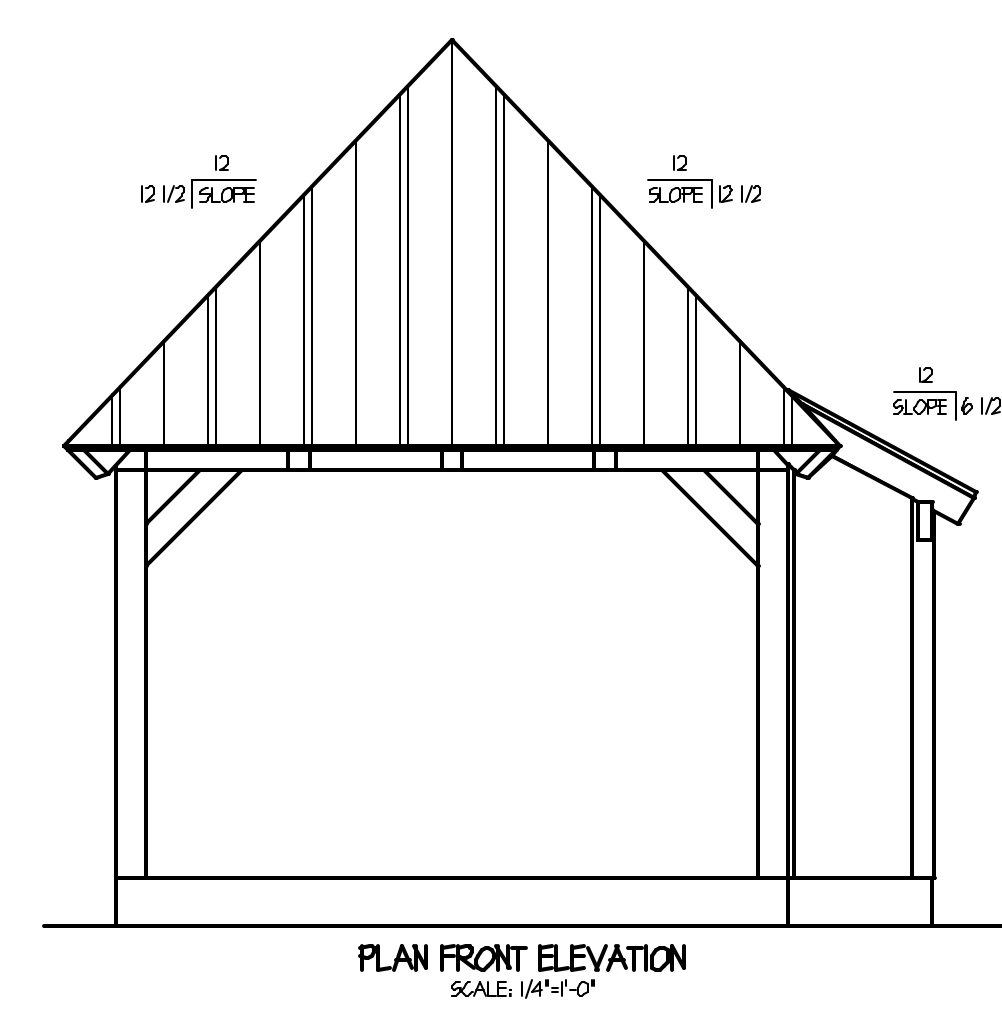
**NOTES:**  
**DESIGN LOADS:**  
 ROOF 30# LIVE LOAD, 10# DEAD LOAD  
 ■ INDICATES SUPPORT POST W/POST JACK BY HEARTHSTONE, INC.  
 ■ INDICATES POST BY HEARTHSTONE, INC.  
 — INDICATES CONVENTIONALLY BUILT 2X STUD WALLS BY OTHERS



**ATTACHMENT NOTES**  
 READ BEFORE ERECTING STRUCTURE.

- ATTACH STEEL POST BASE TO DECK USING (1) 5/8" x 1" LAG SCREW.
- ATTACH HP RAFTERS TO PLATE USING (2) 3/4" OLYMPIC FASTENERS.
- ATTACH HP RAFTERS TOGETHER • TOP USING (2) 1/2" OLYMPIC FASTENERS.
- ATTACH JACK RAFTERS TO HP USING (2) 1/2" OLYMPIC FASTENERS.
- ATTACH JACK RAFTERS TO PLATE USING (2) 1/2" OLYMPIC FASTENERS.
- ATTACH COMMON RAFTERS TO PLATE USING (2) 1/2" OLYMPIC FASTENERS.
- ATTACH COMMON RAFTERS TO END OF JACK RAFTERS USING (2) 1/2" OLYMPIC FASTENERS.
- ATTACH TOP & BOTTOM OF ALL RAFTERS USING (1) 6" OLYMPIC FASTENER • EA. SIDE. (4 PER RAFTER)
- ATTACH 6x12 PLATE TO POSTS USING (4) 6" OLYMPIC FASTENERS.
- ATTACH 4x10 PLATE TO WALL USING (2) 1/2" OLYMPIC FASTENERS • 12" O.C.

- PRODUCTION NOTES:**
- ENP MATERIAL
  - PLANED, CHAMFERED & KILN DRIED.
  - ALL END GRAINS TO BE SEALED.



THE DESIGN REPRESENTED ON THIS PLAN IS INTENDED TO BE USED EXCLUSIVELY IN CONJUNCTION WITH THE CONSTRUCTION OF A STRUCTURE MANUFACTURED BY HEARTHSTONE, INC., AND, UNDER COPYRIGHT LAW, MAY NOT BE USED FOR ANY OTHER PURPOSE.  
 © 2004 HEARTHSTONE, INC.  
 ALL RIGHTS RESERVED RESPECTING DESIGN AND SUBJECT MATTER SHOWN ON THIS PLAN.  
 TIMBERRIGHT & T-TIMBER TRADEMARKS

**HEARTHSTONE, INC.**  
 1650 EAST HIGHWAY 25/70  
 DANDRIDGE, TENNESSEE 37125  
 800-247-4442

CUSTOMER: **JACK & JOY DIESEL**  
 c/o SCALY MOUNTAIN BUILDERS  
 HIGHLANDS, NC  
 MODEL: CUSTOM TIMBERFRAME  
 TITLE: DESIGN PLANS  
 SQUARE FOOTAGE: 217

LAST DATE PLOTTED:	02-08-05
REVISION TYPE:	REV. BY: DATE:
	D5 2/4/04
	D6 2/25/04
SCALE: NOTED	
DATE:	1/28/04
DRAWN BY:	DS
CUSTOMER NAME:	DIESEL-BOAT HOUSE
SALES ORDER NO.:	10431
JOB ORDER NO.:	4234
HEARTHSTONE REF.:	WOOD
SHEET NO.:	1