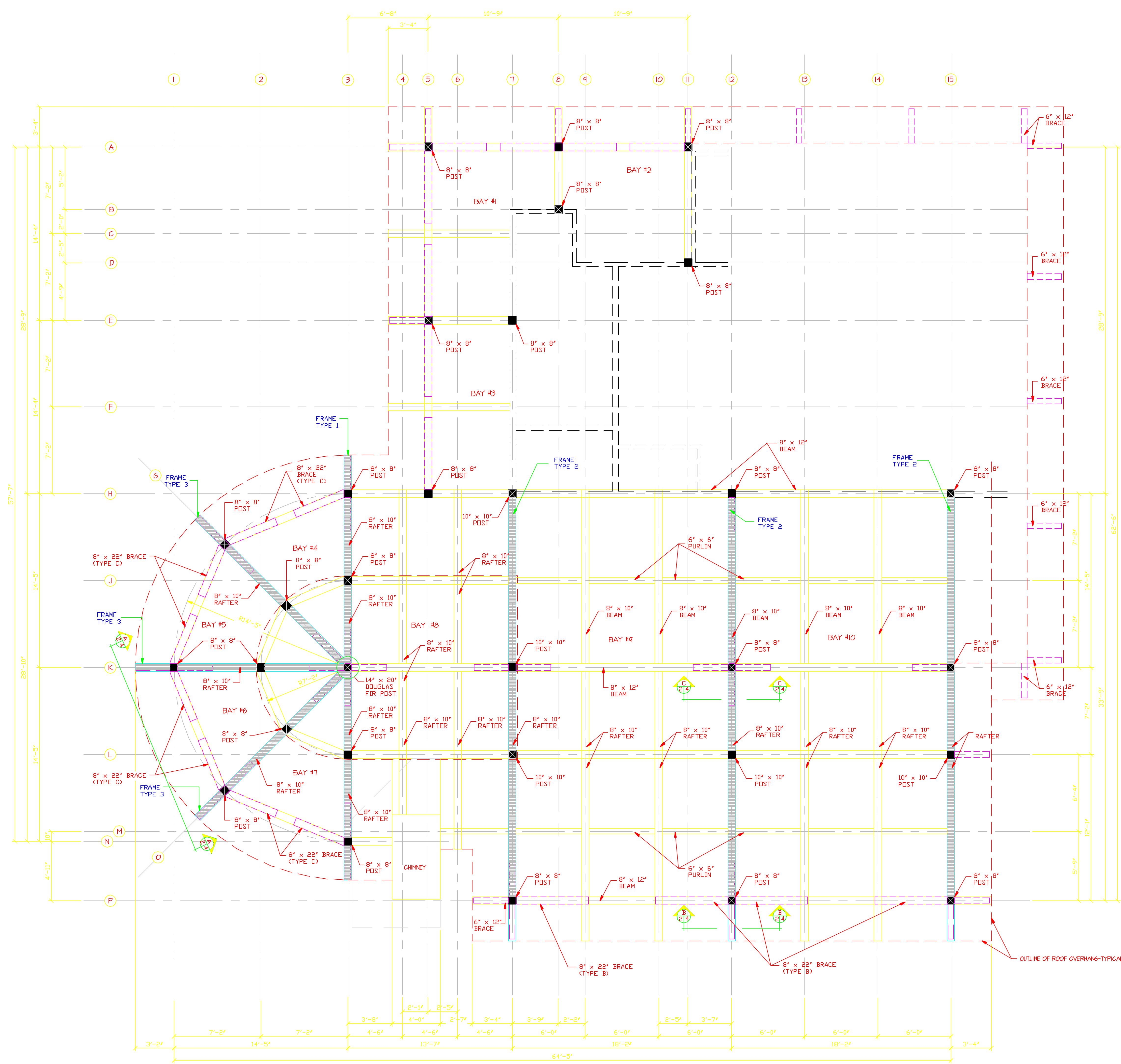


RITZ CARLTON LODGE
AT
REYNOLDS PLANTATION
LAKE OCONEE
POOL BAR AND GRILLE
ROOF FRAMING AND POST LAYOUT



NOTE:
SECTIONAL VIEWS DEVELOPED FROM POST AND FRAMING PLANS FROM HEARTHSTONE, INC. AND DIMENSIONS FOR FABRICATION AND ERECTION ARE EXCLUSIVELY THEIR RESPONSIBILITY. WE ASSUME NO LIABILITY FOR THEIR DIMENSIONAL ACCURACY.

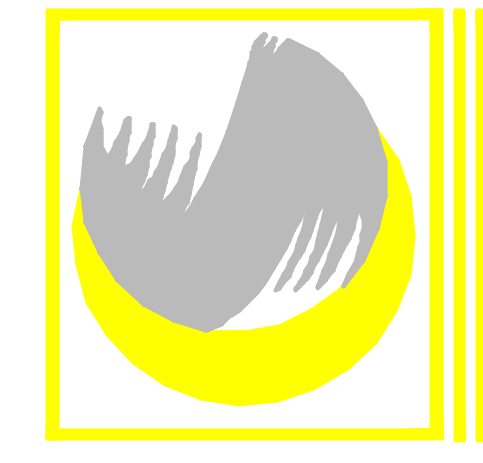
- NOTES:
- ANCHOR BOLTS TO BE HILTI 5/8" DIA. x 8" (MIN. EMBED TO BE 6"). ANCHOR BOLTS TO BE SET IN EPOXY ANCHOR CAPSULES.
 - BASE PLATES TO BE HOT DIPPED GALVANIZED AFTER FABRICATION.
 - HOLD DOWN DOWELS TO BE 1" DIA. x 5" STEEL PEGS. PLUG RECESS HOLES w/ 1" DIA. WOOD DOWELS.
 - WELD VERTICAL STEEL BARS TO PLATE w/ 1/4" CONT. FILLET WELD ALL AROUND.

- DESIGN LOADS:
- ROOF TOTAL LOAD: 45PSF (LIVE LOAD-20PSF; DEAD LOAD 25PSF)
 - WIND LOAD: 80 MPH (I=1.0)

- NOTES:
- PROVIDE (4) ADDITIONAL TYPE "A" BRACES WHICH ARE TO BE FIELD LOCATED (SEE HEARTHSTONE SHT. 2).
 - ALL TIMBERFRAME MEMBERS TO BE EASTERN WHITE PINE (EWP) WITH A MINIMUM Fb = 825 PSI
 - CENTRAL 14" x 20" POST WILL BE DOUGLAS FIR WITH A MINIMUM Fb = 1300 PSI.
 - ALL EXPOSED TIMBERFRAME MEMBERS ARE TO BE CHAMFERED EXCEPT RAFTERS.
 - OTHERS TO PROVIDE ALL MATERIALS FOR ATTACHING TIMBERFRAME MEMBERS TO FIREPLACE/CHIMNEY.

ROOF FRAMING AND POST LAYOUT PLAN

CARTER & SLOOPE
CONSULTING ENGINEERS
ATHENS ■ MACON ■ SAVANNAH ■ VALDOSTA

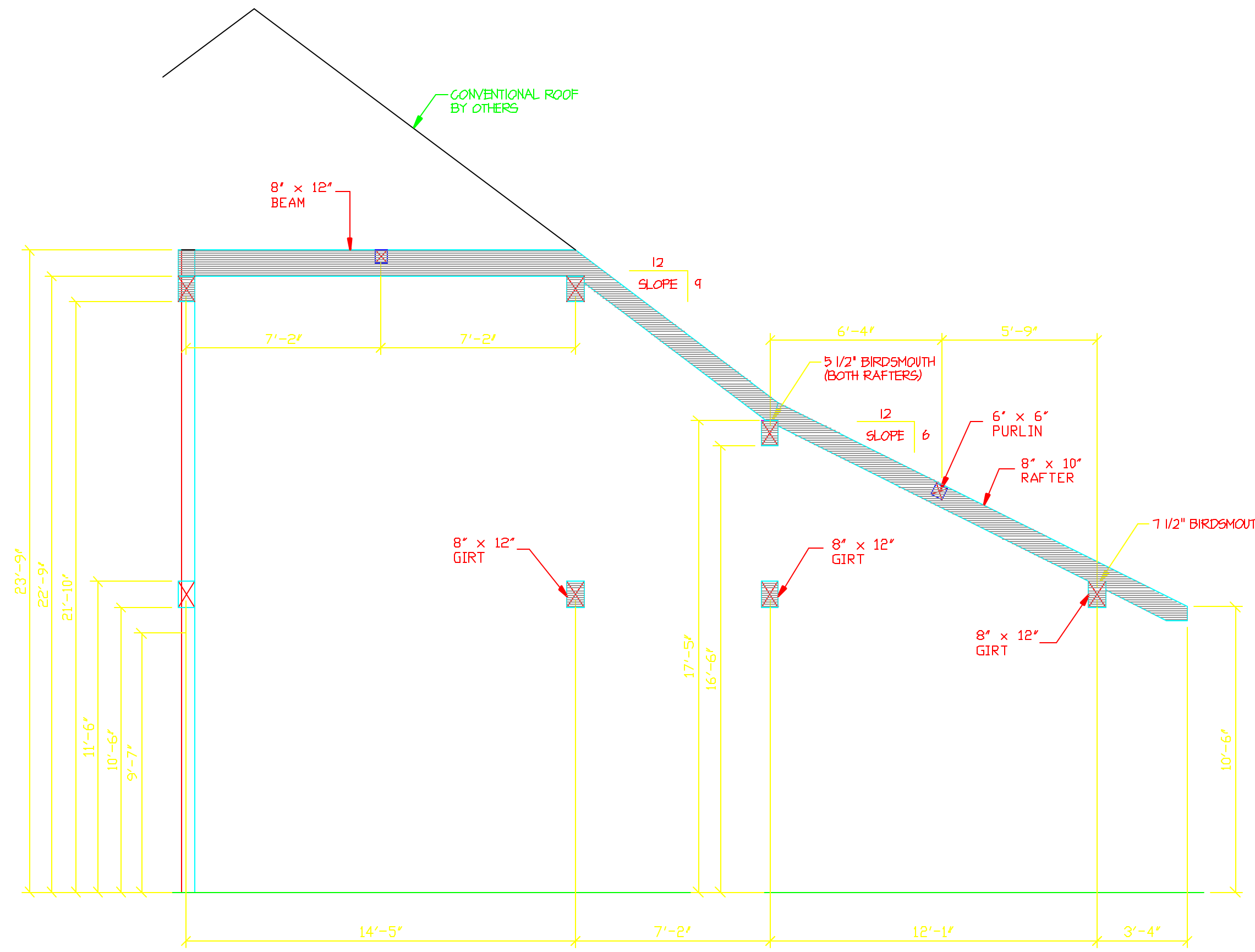


1051 Leveaux Hill Road
Buckley, Georgia 31510
Phone: (706) 385-5400
Fax: (706) 385-5400

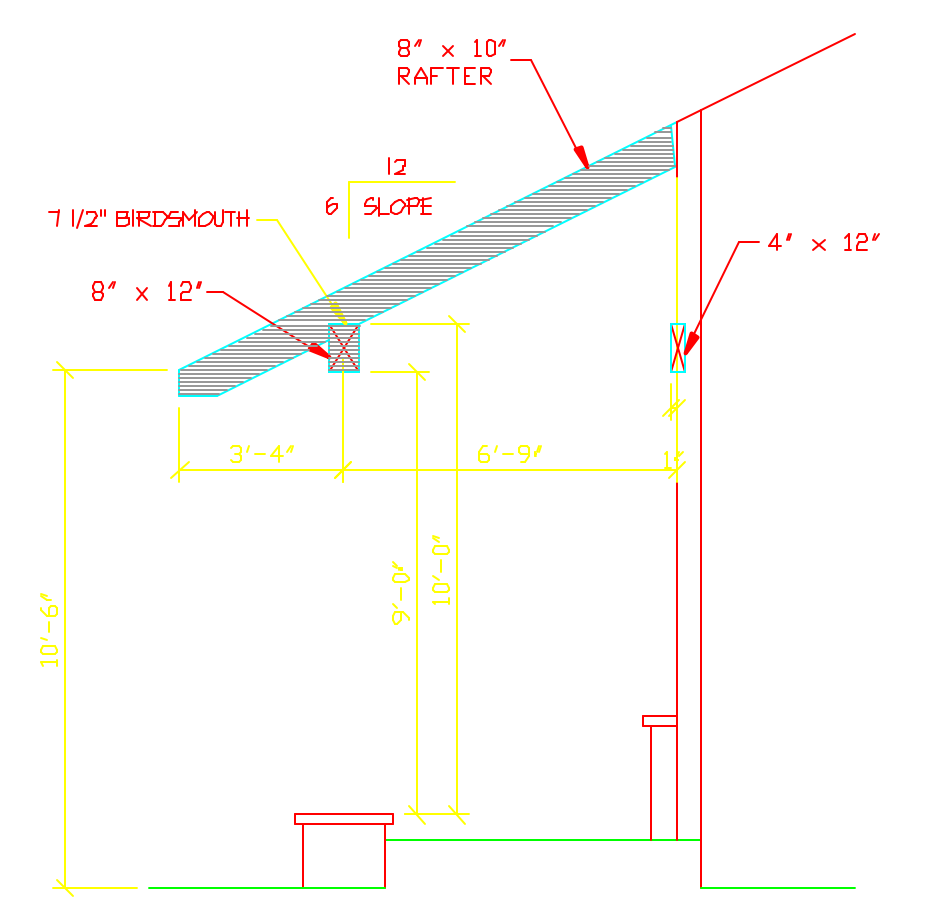
81 Park of Commerce Drive
Valdosta, Georgia 31601
Phone: (478) 247-3110
Fax: (478) 247-3110

DSGN:	C & S
DRWN:	SEC
SCALE:	1/4" = 1'-0"
C.A.D.D. NO.:	0
PROJ. NO.:	0836-001-01
DATE:	AUGUST, 2001
SHEET NO.:	2
	OF 4 SHEETS

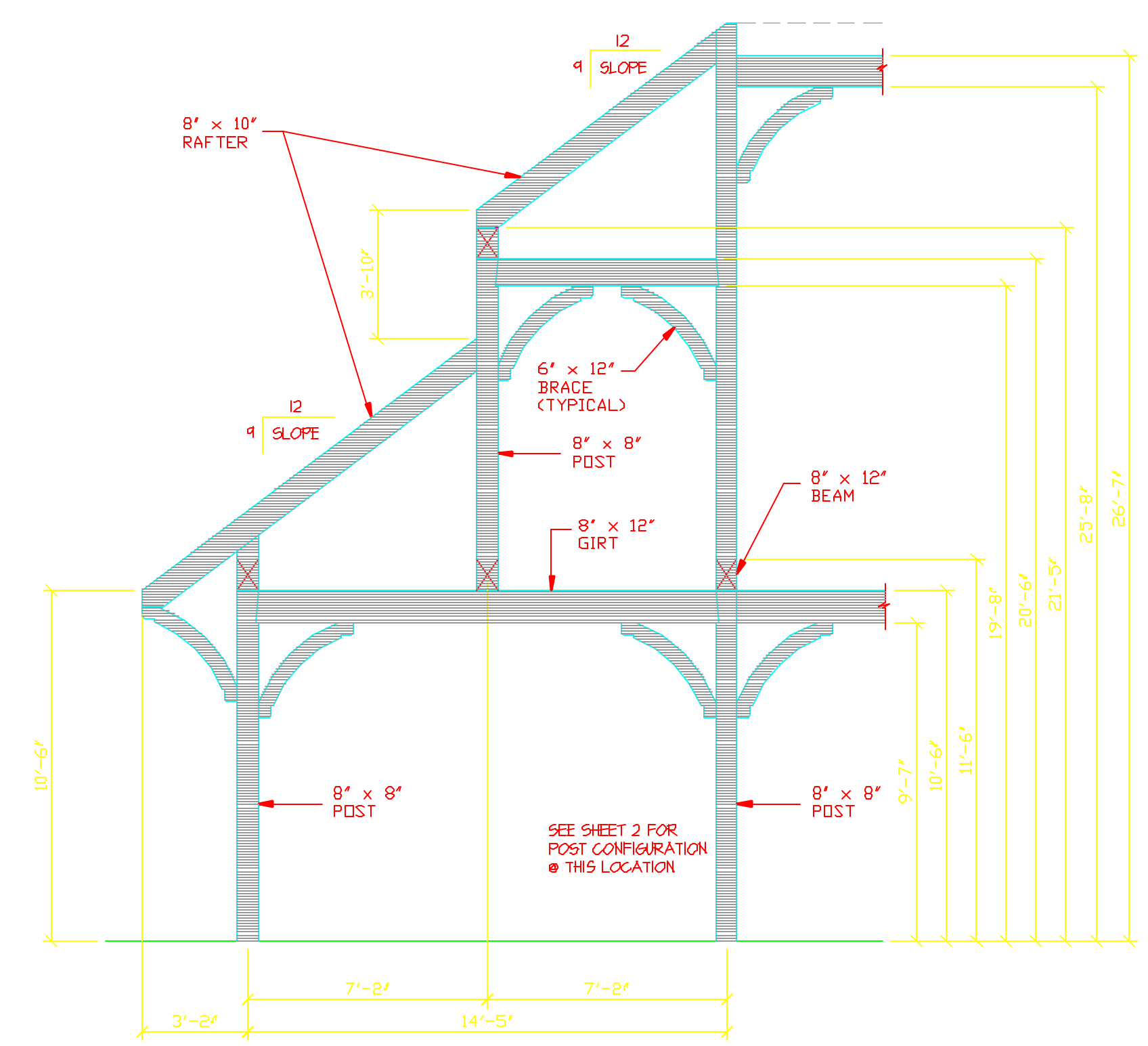
RITZ CARLTON LODGE
AT
REYNOLDS PLANTATION
LAKE OCONEE
POOL BAR AND GRILLE
SECTION VIEWS



SECTION @ GRID LINES 9, 10, 13 & 14

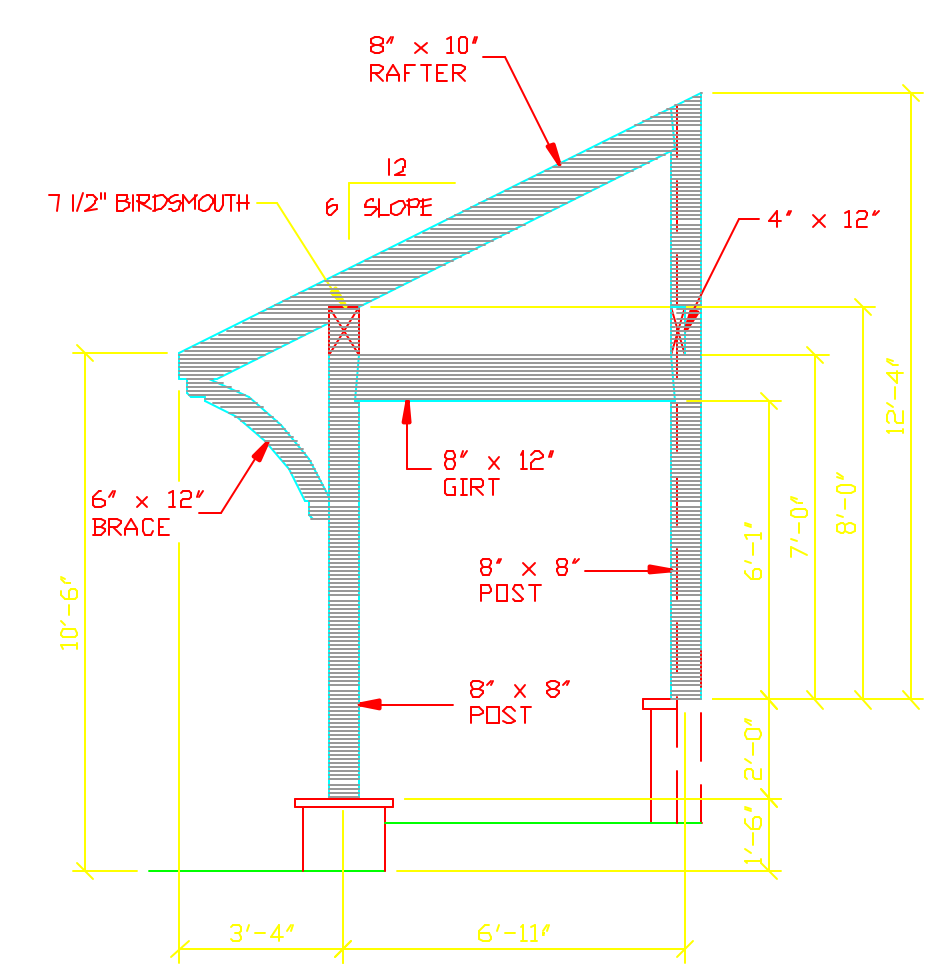


SECTION @ GRID LINES C & F

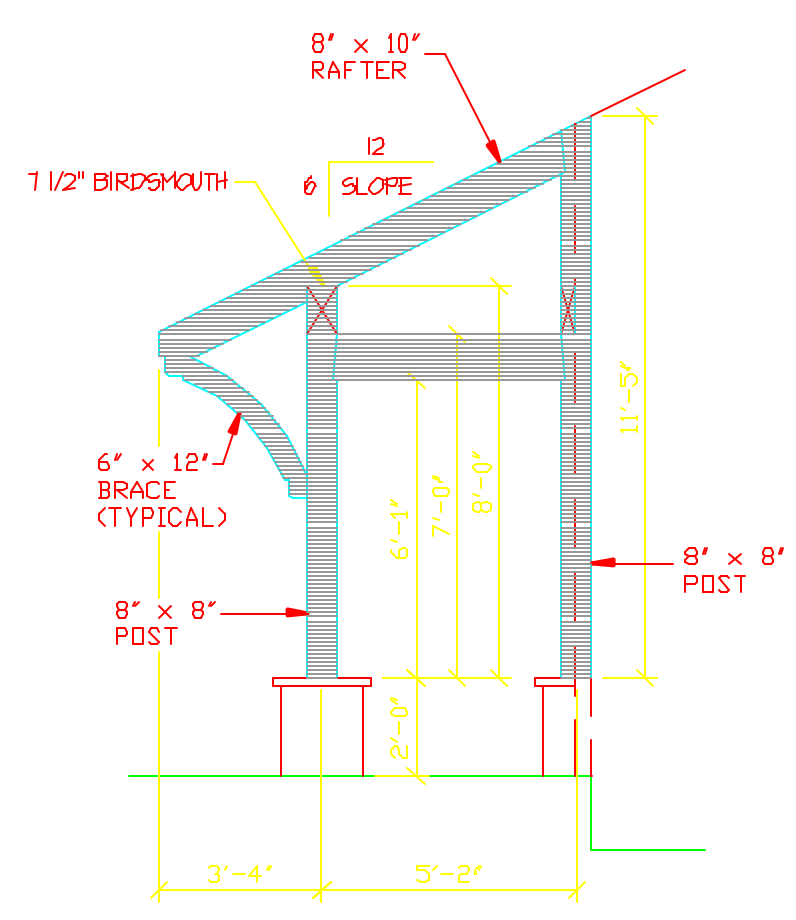


SECTION @ BENTS G, K, & D

FRAME TYPE 3

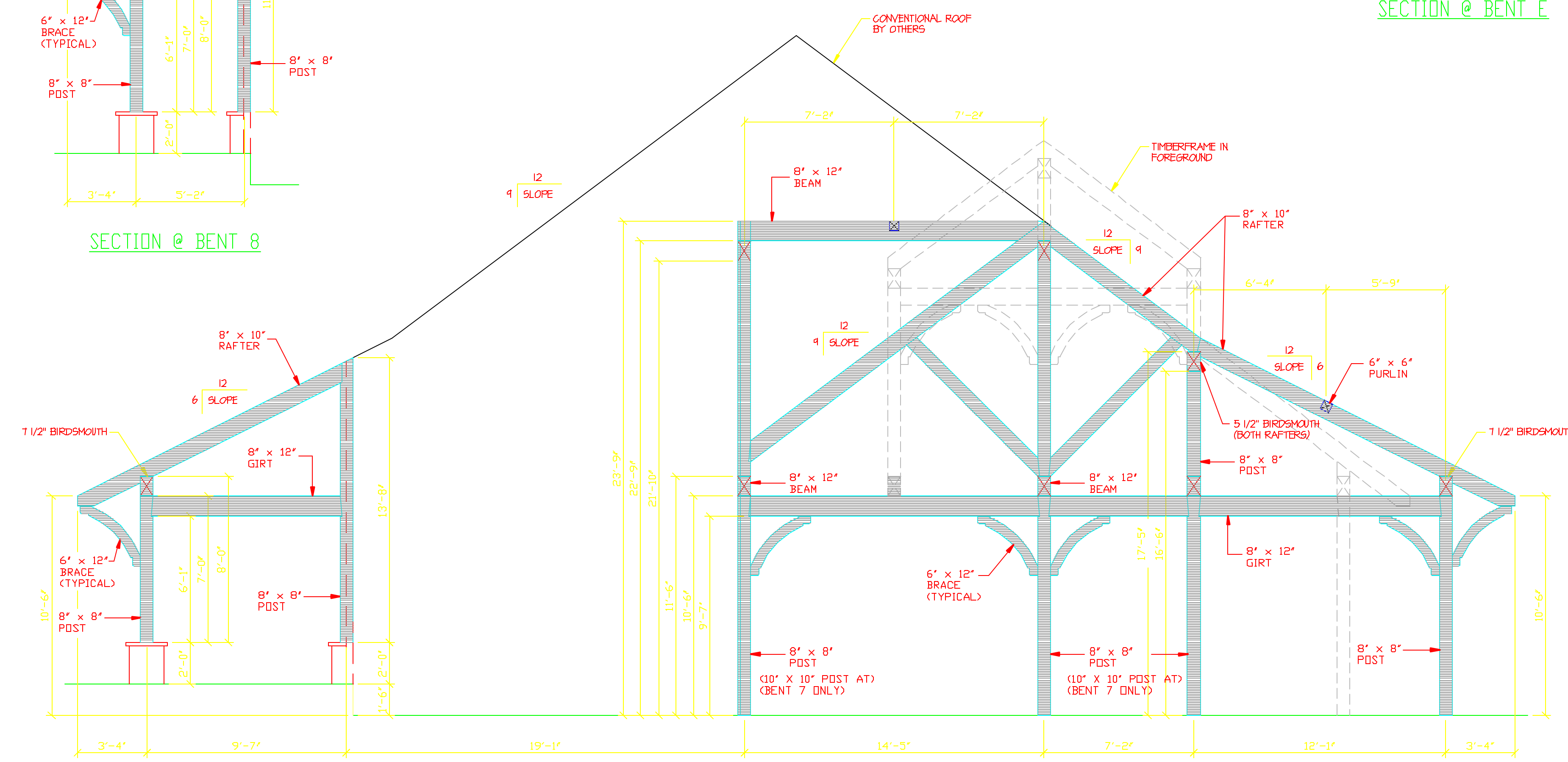


SECTION @ BENT E



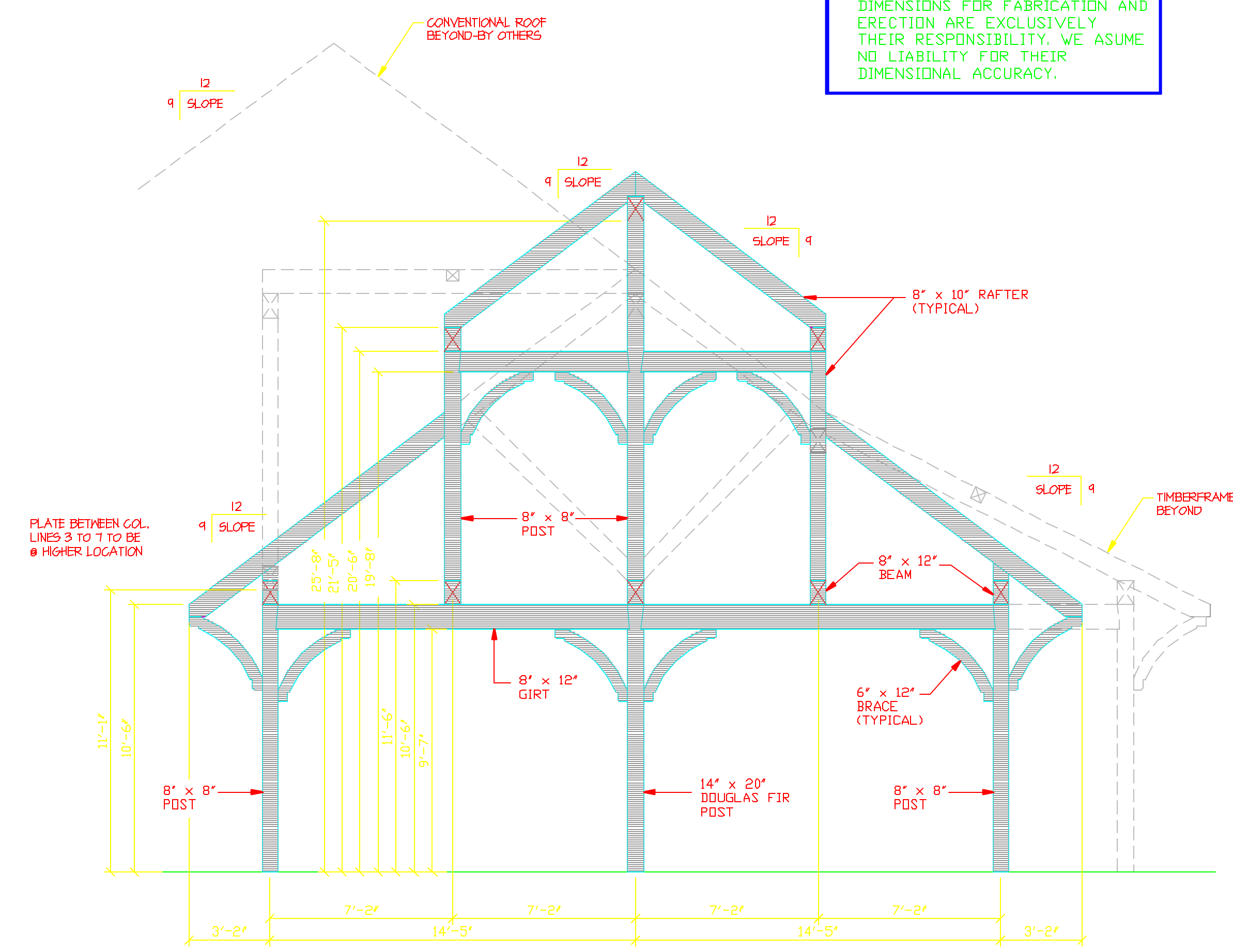
SECTION @ BENT 8

NOTE:
SECTIONAL VIEWS DEVELOPED FROM POST AND FRAMING PLANS FROM HEARTHSTONE, INC. AND DIMENSIONS FOR FABRICATION AND ERECTION ARE EXCLUSIVELY THEIR RESPONSIBILITY. WE ASSUME NO LIABILITY FOR THEIR DIMENSIONAL ACCURACY.



SECTION @ BENTS 7, 12, & 15

FRAME TYPE 2



SECTION @ BENT 3

FRAME TYPE 1

SECTION VIEWS

CARTER & SLOOPE
CONSULTING ENGINEERS

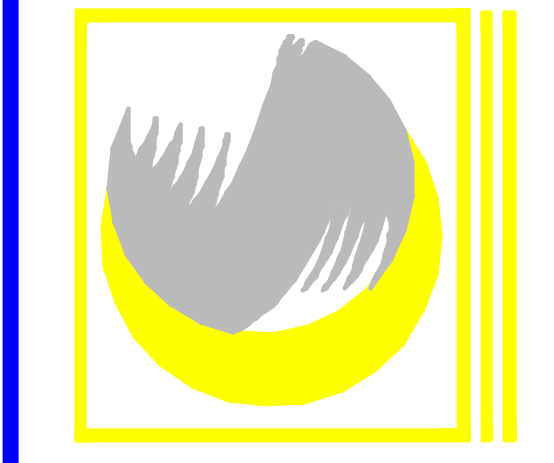
ATHENS ■ MACON ■ SAVANNAH ■ VALDOSTA

1108 N. Patterson Street
Athens, Georgia 30606
Phone: (706) 547-4000
Fax: (706) 547-4001

31 Park of Commerce Drive
Savannah, Georgia 31405
Phone: (912) 477-8800
Fax: (912) 477-8801

810 Paine Road
Macon, Georgia 31206
Phone: (478) 747-4800
Fax: (478) 747-4801

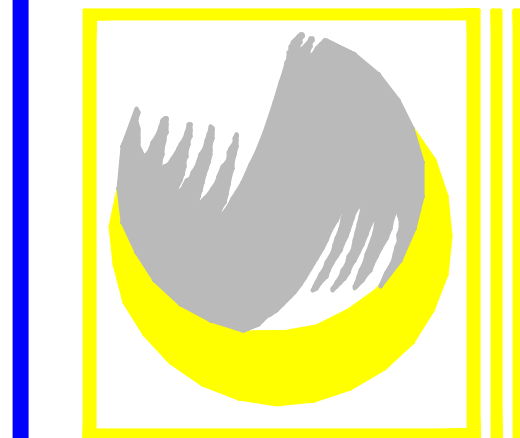
1851 Jennings Mill Road
Valdosta, Georgia 31602
Phone: (478) 337-7444
Fax: (478) 337-7444



DSGN:	C & S
DRWN:	SEC
SCALE:	1/4" = 1'-0"
C.A.D.D. NO.:	0
PROJ. NO.:	0836-001-01
DATE:	AUGUST, 2001
SHEET NO.:	3
OF	45 SHEETS

RITZ CARLTON LODGE
AT
REYNOLDS PLANTATION
LAKE OCONEE
POOL BAR AND GRILLE
DETAILS

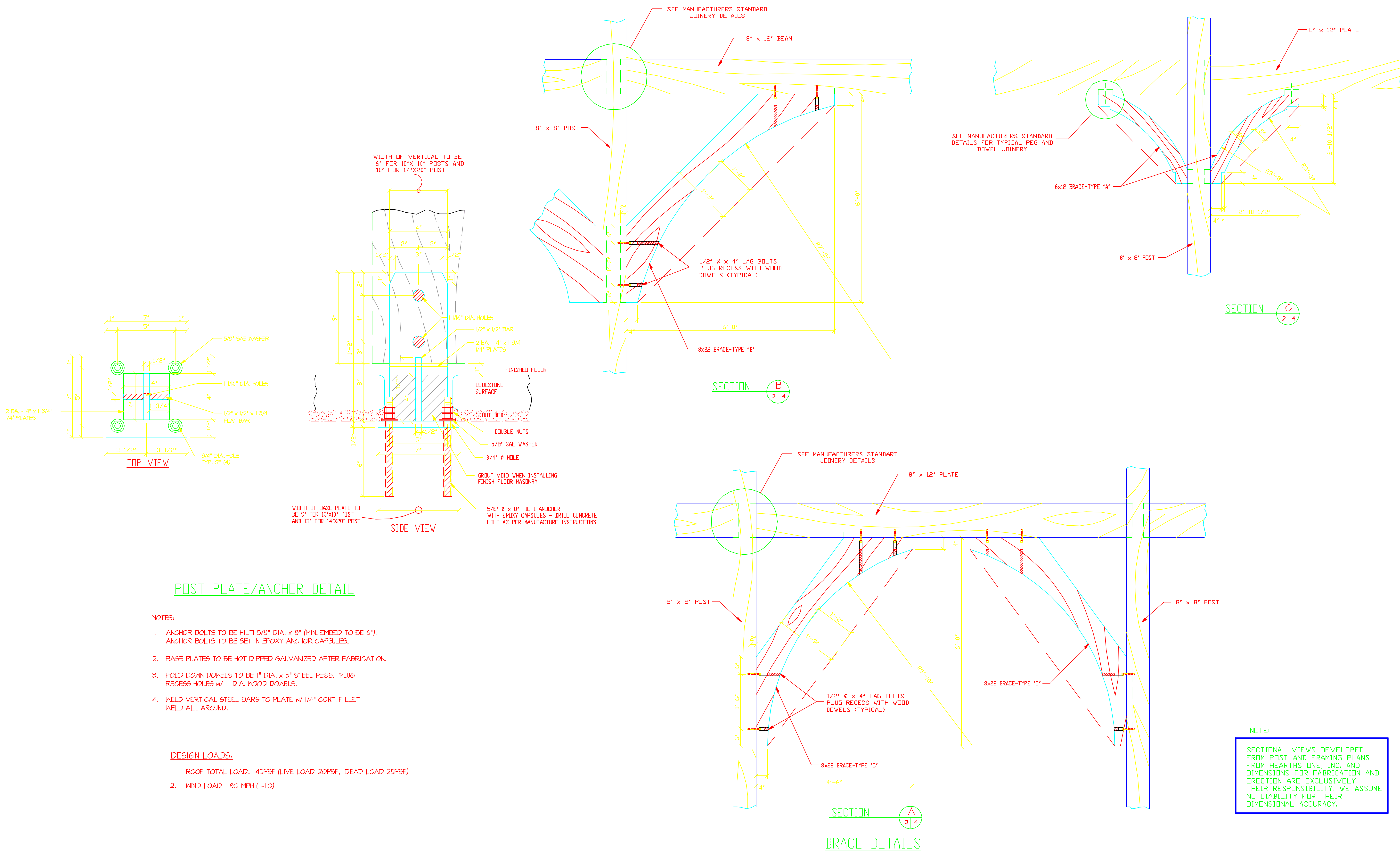
CARTER & SLOOPE
CONSULTING ENGINEERS
ATHENS ■ MACON ■ SAVANNAH ■ VALDOSTA



1001 Leachburg Mill Road
Buckley, Georgia 30606
Phone: (770) 385-2425
Fax: (770) 385-1008

81 Park of Commerce Drive
Valdosta, Georgia 31007
Phone: (478) 247-3115
Fax: (478) 247-9855

1408 N. Polkman Street
Valdosta, Georgia 31007
Phone: (478) 244-1400
Fax: (478) 244-1400



POST PLATE/ANCHOR DETAIL

NOTES:

1. ANCHOR BOLTS TO BE HILTI 5/8" DIA. x 8" (MIN. EMBED TO BE 6"). ANCHOR BOLTS TO BE SET IN EPOXY ANCHOR CAPSULES.
2. BASE PLATES TO BE HOT DIPPED GALVANIZED AFTER FABRICATION.
3. HOLD DOWN DOVELS TO BE 1" DIA. x 5" STEEL PEGS. PLUG RECESS HOLES w/ 1" DIA. WOOD DOVELS.
4. WELD VERTICAL STEEL BARS TO PLATE w/ 1/4" CONT. FILLET WELD ALL AROUND.

DESIGN LOADS:

1. ROOF TOTAL LOAD: 45PSF (LIVE LOAD-20PSF; DEAD LOAD 25PSF)
2. WIND LOAD: 80 MPH (I=1.0)

NOTES:

1. PROVIDE (4) ADDITIONAL TYPE "A" BRACES WHICH ARE TO BE FIELD LOCATED (SEE HEARTHSTONE SHT. 2).
2. ALL TIMBERFRAME MEMBERS TO BE EASTERN WHITE PINE (EWP) WITH A MINIMUM Fd = 875 PSI.
3. CENTRAL 14"x20" POST WILL BE DOUGLAS FIR WITH A MINIMUM Fd = 1300 PSI.
4. ALL EXPOSED TIMBERFRAME MEMBERS ARE TO BE CHAMFERED EXCEPT RAFTERS.
5. OTHERS TO PROVIDE ALL MATERIALS FOR ATTACHING TIMBERFRAME MEMBERS TO FIREPLACE/CHIMNEY.

NOTE:

SECTIONAL VIEWS DEVELOPED FROM POST AND FRAMING PLANS FROM HEARTHSTONE, INC. AND DIMENSIONS FOR FABRICATION AND ERECTION ARE EXCLUSIVELY THEIR RESPONSIBILITY. WE ASSUME NO LIABILITY FOR THEIR DIMENSIONAL ACCURACY.

DSGN:	C & S
DRWN:	SEC
SCALE:	NOT TO SCALE
C.A.D.D. NO.:	0
PROJ. NO.:	0836-001-01
DATE:	AUGUST, 2001
SHEET NO.:	4
	OF 4 SHEETS